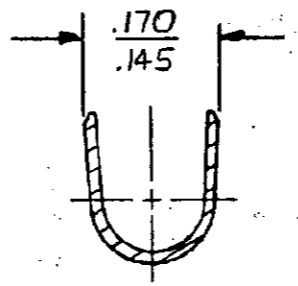
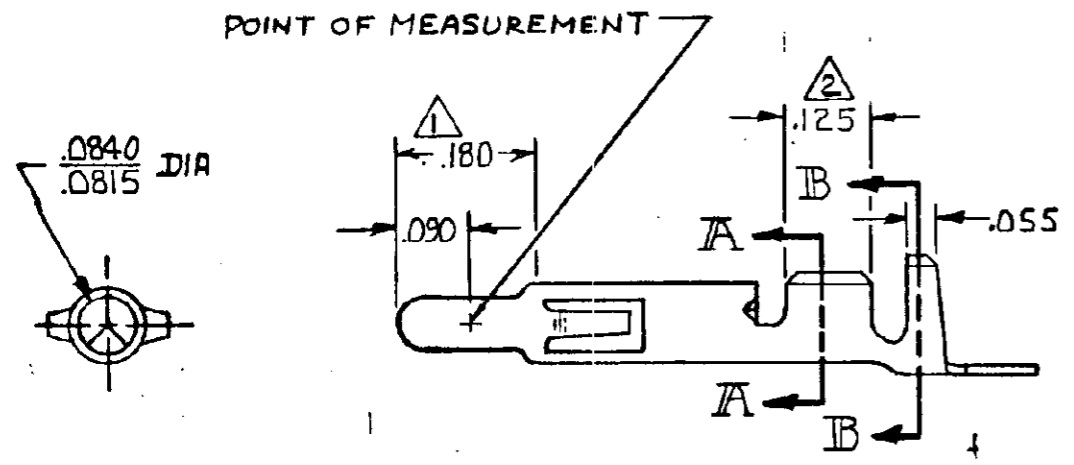
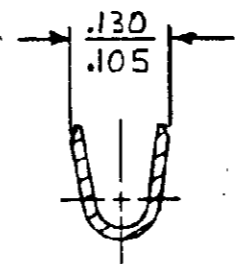
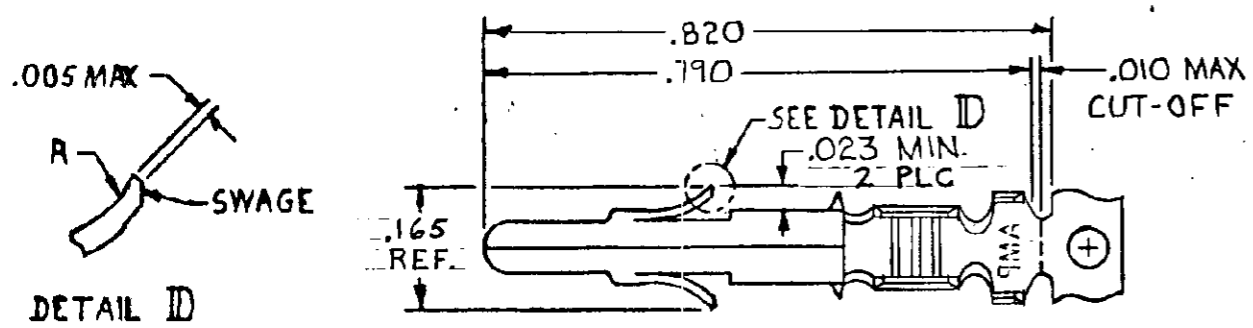


© COPYRIGHT 1972 BY AMP INCORPORATED, HARRISBURG, PA.
 ALL INTERNATIONAL RIGHTS RESERVED. AMP INCORPORATED PRODUCTS
 COVERED BY U. S. AND FOREIGN PATENTS AND/OR PATENTS PENDING.



REVISIONS						
P	F	ZONE	LTR	DESCRIPTION	DATE	APPROVED
/	/		N	REDRAWN W/O CHANGE M-6457	6-5-81	MSF/DH
/	/		P	REVISED M-7350	7/25/83	DAS/DH
/	/		R	REVISED AG 57	10-20-85	S. W. R. / J. J. J.
/	/		R ₁	RESTORED	3/27/85	B. K. / RS
/	/		S	REVISED PER CM-1728	9-6-88	PH / TB
/	/		T	OBSOLETE -5 PER CM 2309	5-3-89	TB / RS
/	/		U	REVISED PER CM-3286	2-7-91	PKC / RS
/	/		V	REV PER EC 0730-3607-91	1-6-94	RV / RS
/	/		W	REV PER EC 0730-0141-94	7-26-94	RV / RS
/	/		Y	OBS -8 PER EC 0730-0135-96	7-1996	JH / RS

- △ PLATED WITH .000030 GOLD, OVER .000050 NICKEL UNDERPLATE.
- △ PLATED INTERNALLY WITH .000030 GOLD.

350547-7	MINI	GOLD △	.012 BRASS	350218-7
350547-6			.012 PH. BRZ	350218-6
350547-3	MINI	PRE-TIN	.012 PH. BRZ	350218-3
350547-2		GOLD △△	.012 BRASS	350218-2
350547-1		PRE-TIN		350218-1

UNLESS OTHERWISE SPECIFIED DIMENSIONS ARE IN INCHES. TOLERANCES ON: DECIMALS ±.015 ANGLES ±	CONTRACT NO	AMP AMP INCORPORATED Harrisburg, Pa.		
	DR M. FEHER 5-6-81			
	CHK D.S. Heide 6/9/81	NAME PIN, UNIVERSAL MATE-N-LOK		
	APPD R. Pollock 6-10-81	SIZE B	CODE IDENT NO 00779	DRAWING NO 350218
WIRE RANGE 20-14 AWG	DSGN APPD	SCALE 4-1		SHEET
INSULATION RANGE .130 DIA MAX	OTHER APPD			